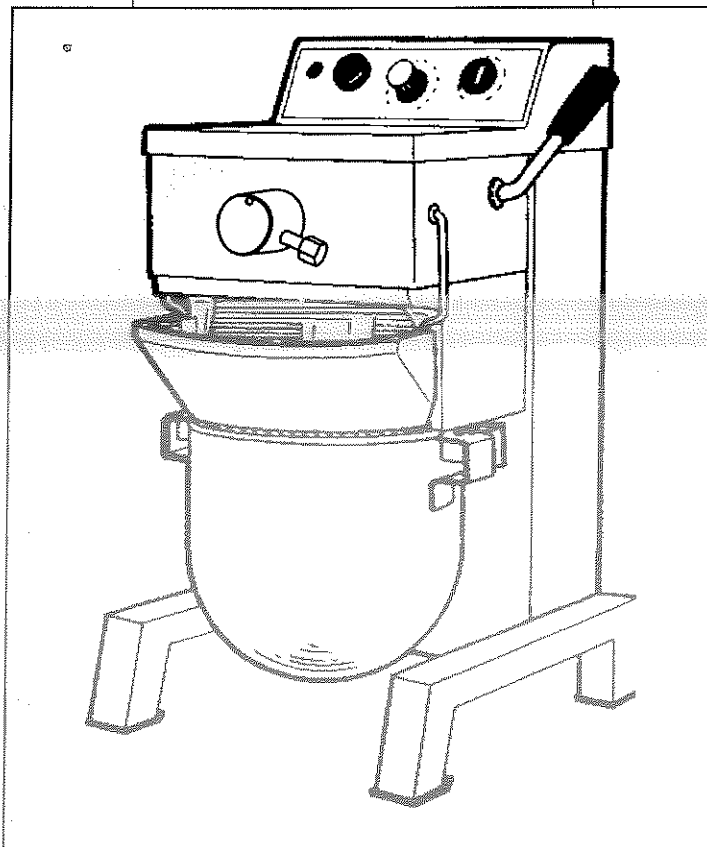


**Crypto
Peerless**

EL10

EUROMIXER

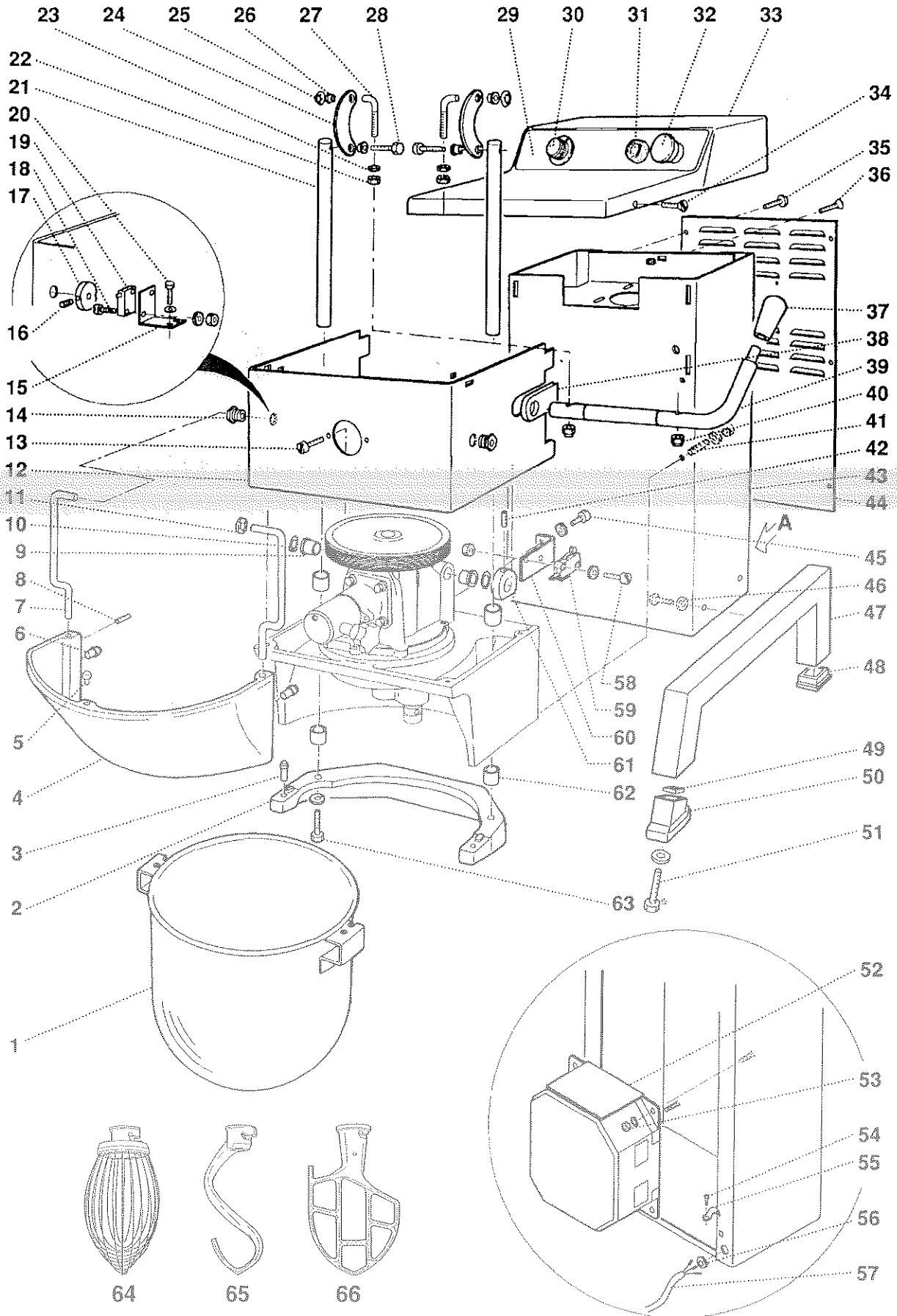


INSTALLATION OPERATION MAINTENANCE INSTRUCTIONS

CE

ISSUE 2 PREPARED FEBRUARY 1985

BODY ASSEMBLY



PLANETARY & DRIVE

Item	Part No	Description	Qty
101	DS03520	Screw H M10x16	1
102	DS04898	Washer 32x11x3	1
103	DS03041	Bearing 6203 (twin seal)	1
104	DS04893	Planetary Cover	1
105	DS04493	Bearing 6004	1
106	DS01855	Washer	1
107	DS06588	Sun Gear	1
108	DS09407	Sun Gearshaft	1
109	DS06591	Planetary Gear	1
110	DS09418	Knob for Attachment Hub	1
111	DS09435	Stud for Attachment Hub	1
112	DS03565	Screw C M3x8	1
113	DS09416	Cover	1
114	DS09413	Attachment Drive Shaft	1
115	DS01722	Key C5x5x14	1
116	DS03086	Seal 16x24x7	1
117	DS04329	Bush	1
118	DS09415	Hub	1
119	DS03500	Screw H M5x16	4
	DS05867	Washer CS M5	4
120	DS09417	Gasket	1
121	DS12199	O Ring 51x2.5	1
122	DS09412	Bush	1
123	DS09411	Conical Gear	1
124	DS03500	Screw H M5x16	1
	DS03784	Washer CS L5	1
125	DS09421	Planetary Housing	1
126	DS03515	Screw H M6x60	1
	DS03755	Washer M6	1
127	DS09410	Conical Gear	1
128	DS09408	Spacer	1
129	DS03034	Bearing 6006 (twin seal)	1
130	DS06580	Washer	1
131	DS03540	Screw F M5x25	4
132	DS09409	Driven Pulley	1
133	DS02865	Washer 24x6.2x2	1
134	DS03607	Screw CHC M6x16	1
135	DS03022	Belt Poly V762 J8	1
136	DS03502	Screw H M5x25	1
		Washer (supplied with motor)	1
137	DS09420	Motor Pulley	1
138		Key (supplied with motor)	1
139	DS11339	Motor - 230/400V-50Hz-3ph-370W	1
140	DS03042	Bearing 6204 (twin seal)	1
141	DS03081	Seal	1
142	DS04546	Bung	1
143	DS01722	Key C5x5x14	1
144	DS03512	Screw H M6x30	2
	DS03755	Washer M6	2
145	DS01964	Key C5x5x20	1
146	DS03575	Nut H M10	1
147	DS03758	Washer M10	1
148	DS06586	Gear	1
149	DS03041	Bearing 6203 (twin seal)	1
150	DS04493	Bearing 6004 (twin seal)	1
151	DS01721	Key C5x5x18.5	1
152	DS07087	Beater Shaft	1
153	DS06470	Drive Pin G01 8diax34	1

SUB ASSEMBLIES

Head Sub Assemblies

DS09867	Head Complete [items (101 to 134)+(140 to 153)]
DS05450	Beater Shaft Complete [items 146+147+151+152+153]
DS09860	Sun Shaft Complete [items 101+102+106+108+133+134+143+145]
DS05452	Planetary Cover Complete [items (103to105)+146+147+(149to153)]

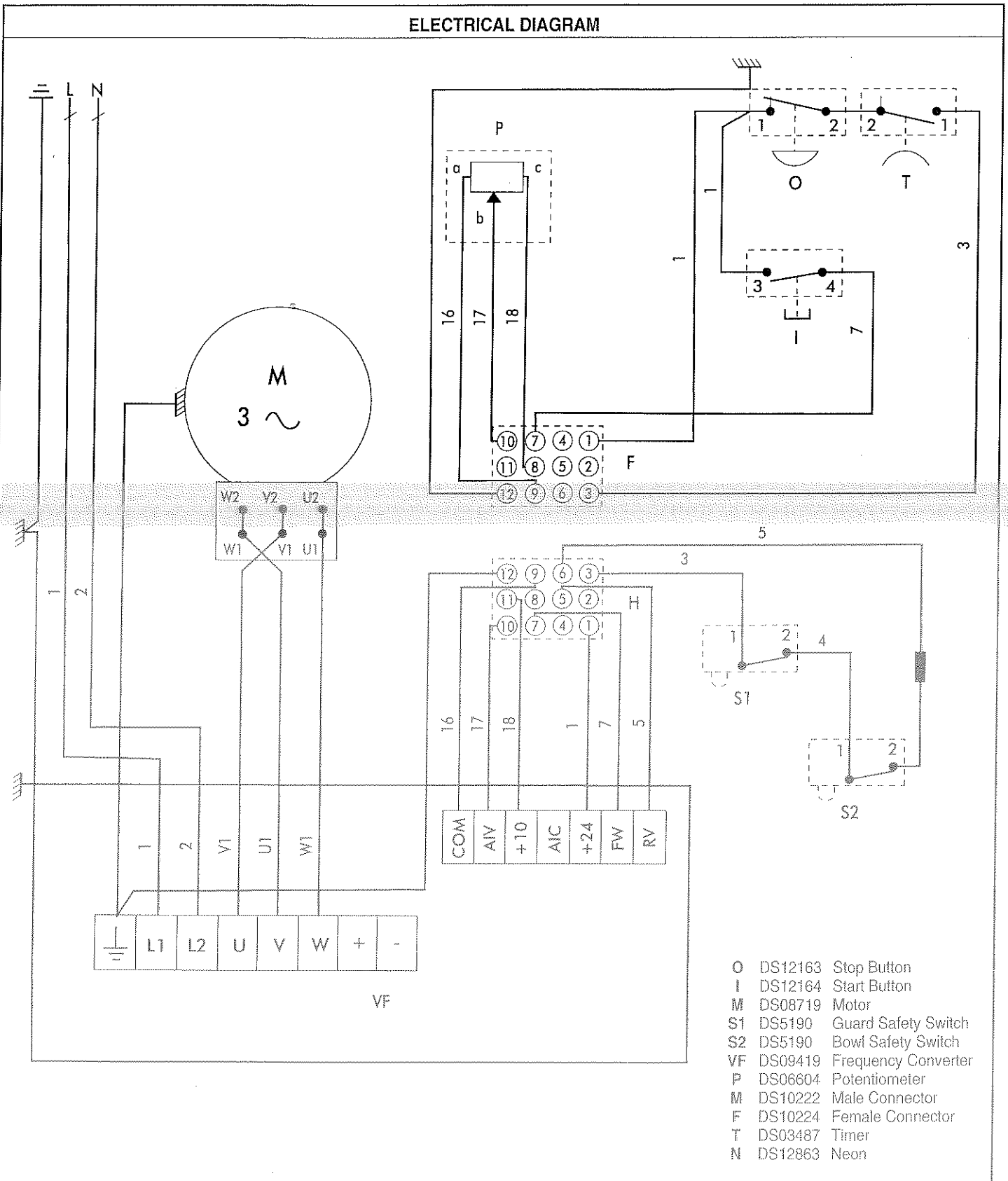
Electrical Sub Assemblies

DS09867	Motor Assembly [items 136 to 139]
DS06630	Potentiometer Complete

Attachment Drive Sub Assemblies

DS09861	Pair of Conical Gears [items 123+127]
DS09862	Attachment Hub (without Conical Gears) [items (112to122)+124]

ELECTRICAL DIAGRAM



- O DS12163 Stop Button
- I DS12164 Start Button
- M DS08719 Motor
- S1 DS5190 Guard Safety Switch
- S2 DS5190 Bowl Safety Switch
- VF DS09419 Frequency Converter
- P DS06604 Potentiometer
- M DS10222 Male Connector
- F DS10224 Female Connector
- T DS03487 Timer
- N DS12863 Neon



Distributor